

■ Specifications

Item	Specifications
Print Head	Piezo-electric drop-on demand
Resolution	600 dpi × 600 dpi, 1200 dpi × 1200 dpi, 1200 dpi × 2400 dpi
Ink	Exclusive UV curable ink (7 colors : C,M,Y,K,Lm,Lc,W) + Clear 440 ml / cartridge for each color
Max. Printing Width	Width : 600 mm (23.6") Feed Direction : 500 mm (19.68")
Distance Accuracy	Absolute accuracy : Whichever is the larger one of ± 0.3 mm or ± 0.3 % of designated distance Repeatability : Whichever is the larger one of ± 0.2 mm or ± 0.1 % of designated distance
Perpendicularity	± 0.5 mm / 500 mm
Waste Ink Tank	Bottle type (2 liters) with sensor
Max. Media Size	Size : 700 mm (27.5") × 600 mm (23.6") Thickness : 50 mm (1.96") Weight : 10 kg (22 lbs)
Media Set Device	Flatbed with vacuum table
UV Device	Equipped with UV lamp
Interface	IEEE 1394 / IEEE 1284
Applicable standard	VCCI class A, CE Marking, CB Report, UL, RoHS Directive
Power Requirement	Printer main unit · UV Device : Single-Phase 200 V - 240 V
Power Consumption	4.0 kVA less than (Main unit 0.5 kVA, UV Device 1.8 kVA, Heater 1 kVA, blower 0.7 kVA)
Operational Environment	Temperature : 15 - 30 °C (59 - 86 °F) Humidity : 35 - 65 % Rh Accuracy guarantee temperature : 18 - 25 °C (64 - 77 °F) Temperature gradient : less than ± 10 °C/h (18 °F) Dust : Equivalent to normal office level
Weight	420 kg (926 lbs) less than (incl. UV power supply)
Outside Dimensions (W × D × H)	2,440 mm (96") × 1,570 mm (61.9") × 1,370 mm (54") less than (incl. UV power supply)
Exclusive RIP included as standard, compatible with EPS, PS, TIFF, JPEG and BMP file formats	

*Indicated values show the degree of mechanical precision. At the time of shipment, adjustments are made to optimize visual quality.

■ Supply items

Product name	Color	Product No.	Remarks
Hard UV ink	Cyan	SPC-0371C	1 cartridge : 440 ml (effective volume : 400 ml)
	Magenta	SPC-0371M	
	Yellow	SPC-0404HY	
	Black	SPC-0371K-2	
	Light cyan	SPC-0371Lc	
	Light magenta	SPC-0371Lm	
	White	SPC-0371W-3	
Flexible UV ink	Clear	SPC-0371CL	
	Cyan	SPC-0516C	
	Magenta	SPC-0516M	
	Yellow	SPC-0516Y	
	Black	SPC-0516K	
	Light cyan	SPC-0516Lc	
	Light magenta	SPC-0516Lm	
Cleaning solution	For hard UV ink	SPC-0371FS	
	For flexible UV ink	SPC-0516FS	

● Matters to note regarding media and ink

- Ink performance of materials
- Post-printing ink property performance (adhesion, weather durability, etc.) varies according to the material.
- If printing materials other than those described are to be used, please test the materials first.
- Adhesion performance differs according to the material. Thus, there are cases in which optimization of ink and anchor coat/overcoat is necessary.

● UV lamp

- A characteristic of UV lamps is that their illuminance deteriorates over time. The illuminance declines by about 30 % after about 1,000 hours of use.

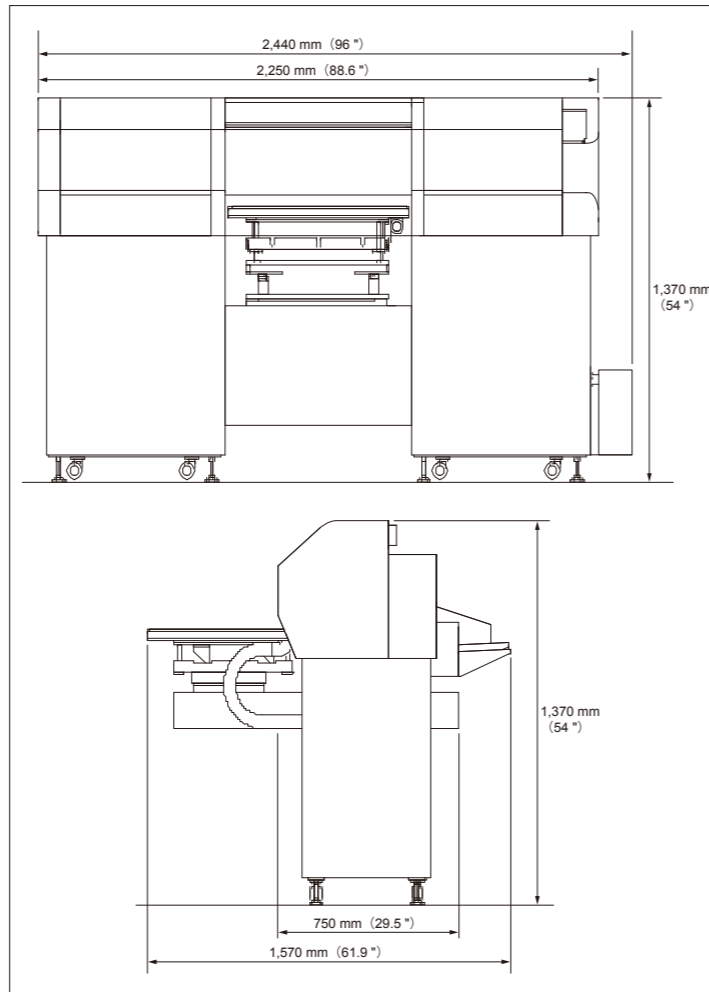
Note : Although using a UV lamp after 1,000 hours is possible, illuminance gradually decreases. Frequent curing and illuminance checks are therefore recommended.

- All trademarks or registered trademarks are the property of their respective owners.
- Specifications are subject to change without notice.
- Some of the screens and printing samples in this catalog are artificial renderings.
- Inkjet printers print using extremely fine dots, so colors may very slightly differ following replacement of the printing heads. Also note that if using multiple printer units, colors may slightly differ among the units due to slight individual differences among the units.

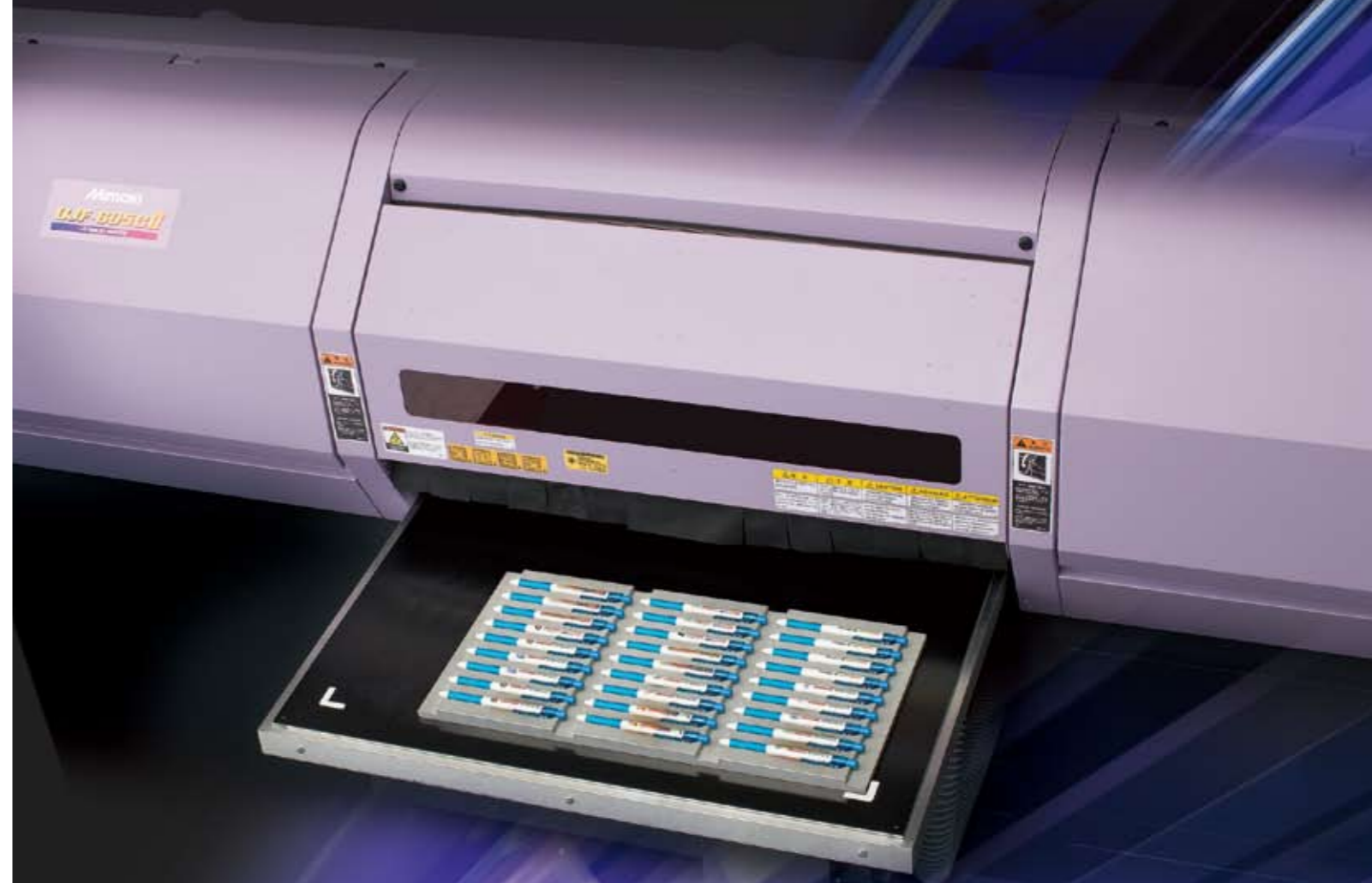
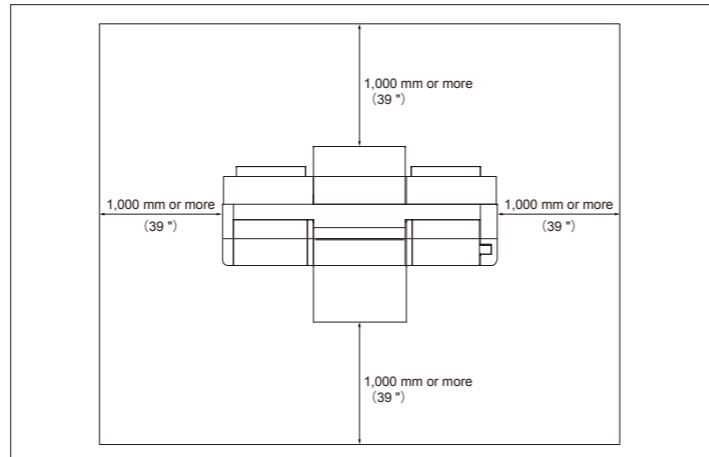
System configuration



■ External dimensions



■ Installation space



Increased Production Capacity.
High-Speed Direct Printing on Specialty Media.

UV curable Inkjet Printer with 6 Colors + White and Clear

UJF-605CII

FLEXIBLE FLATBED

SPEEDY

Equipped with new high-speed print heads that enable printing up to twice as fast as the previous model*.

Digital flatbed that can meet demands for quick turnaround times.

*In the case of specific resolutions when compared to our conventional model



The UJF-605CII enables direct digital printing on three-dimensional and other special materials.

The inkjet printer is ideal for a wide range of printing jobs, from sample creation to full-scale production.

Equipped with new, high-speed print heads

New head type was adopted to achieve high speed printing. This allowed print speeds up to double that of the conventional type.

Clear liquid

Gives a high-gloss finish for innovative design options, increases color-fastness and protects the printed surface.

UV-curable ink

The use of this ink greatly increases the choice of materials for printing. Direct printing is possible on PET, PP, polycarbonate and ABS resin.

White + CMYK Lc Lm

Highly opaque white ink is used as backing print on transparent or colored substrates, thus realizing full-color reproduction of impressive, beautiful images.

1200 x 2400 dpi

Original and precise designs not previously possible can be obtained, and the product comes sparkling with a high-quality finish.

Inkjet method

A non-contact method makes highly precise direct printing possible on three-dimensional curved surfaces for a remarkable design improvement.

Flatbed design

Because materials can be individually arranged, print positioning can be imposed with high precision. This also enables simultaneous printing on multiple materials.

VOC countermeasure

This printer uses UV-curable ink free of volatile organic chemicals (VOCs).

Ozone-free configuration

The printer's UV lamp does not generate any ozone.

Registration mark detection

By detecting one register mark inside the print area, the print origin is adjusted automatically.

RIP software maximizes the potential of the UJF-605CII.

RasterLink Pro5 IP

- 16 bit rendering eliminate tone jump and produces fine color reproduction.
- Preview screen allows precise adjustment of designs, etc., while viewing a print image.
- White color printing is easy to configure.
- Only simple adjustments are required to convert color data to white-color data with the RIP.
- Layouts for many and varied kinds of data can be arranged easily with the RIP.
- A variety of editing functions are available, including enlargement, reduction, mirroring, rotation and duplication.



16 bit rendering eliminates tone jump and produces fine color reproduction.

[8 bit rendering] Tone jump is likely to occur in gradation.

[16 bit rendering] Smooth gradation without tone jump.

"RasterLink Pro5 IP" is a RIP software that optimizes the performance of the UJF-605CII. The web update function has been newly added to RasterLink Pro5 to easily achieve both software update and profile download.

Desired performance and productivity. New business opportunities unfold with the UJF-605CII.

Productivity

High productivity printing on small items.

Because production is possible on a made-to-order basis thanks to the on-demand capability of the printer, printing requirements can be met the same day, for instance. Setting up a jig and arranging items to be printed on the table, mass production can be achieved speedily. As this shows, the UJF-605CII is remarkably productive for printing on small items.

Example 01 Various types of cards



Suitable for variable printing in which data is different for each item in terms of numbers and photos.

Printing time : 11 min., 12 sec.
Size : 86 mm x 54 mm, 1200 x 1200 dpi, 16 pass Hi-mode
Width 600 mm x feed direction 500 mm, with 45 sheets imposed.

It is possible to print 240 sheets per hour!

*RIP configuration and preparation time is not included.

Example 02 Magnets



Total printing time (White printing + Color printing) : 22 min., 24 sec.
Size : 29 mm dia., 1200 x 1200 dpi, 16 pass Hi-mode
Width 600 mm x feeding direction 500 mm, with 168 units imposed.

It is possible to produce 450 units per hour!

*RIP configuration and preparation time is not included.

Performance

Making photographs and gradations more beautiful.

With such a high resolution as 1200 x 2400 dpi, fine lettering and lines, as well as extremely accurate images, are faithfully reproduced. Six colors - CMYKLCm - along with white, enable variable color density to be expressed vividly with high visual quality. Photographic details and the gradations of illustrations are truly beautiful due to the nature of this inkjet printer.



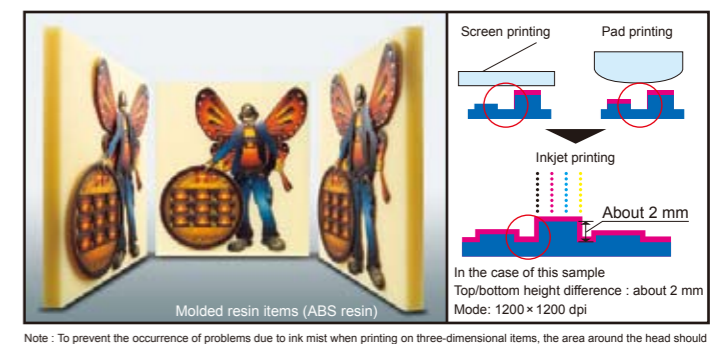
Printing done on materials up to 50 mm in thickness.

Print media conveyance uses a flatbed design. It is possible to directly print on a thick material on the table. Printing is possible not only on pre-molding materials but also on finished products. This ability to apply original designs greatly adds value to products.



Direct printing also possible on curved three-dimensional surfaces.

Inkjet printing is a non-contact printing method. Since materials to be printed, such as plates or blankets, are not in contact with the print head, highly precise and beautiful printing is possible even on uneven surfaces of shaped objects. Photographs and illustrations can therefore be vividly expressive.



Note : To prevent the occurrence of problems due to ink mist when printing on three-dimensional items, the area around the head should be cleaned frequently. Also, the greater the distance from the head, the more the printing quality declines, so prior testing is necessary.